

**I Applications**

The Estampinox EFH pump is a stainless steel centrifugal pump with a steel lantern for decanting water and other fluids. It is designed to cater for the needs of all the auxiliary services in the food-processing, chemical, pharmaceutical, wine-making industries, etc.

**I Operating principles**

Housed inside the casing, the impeller rotates in conjunction with the pump shaft. With this arrangement, the impeller blades convey energy to the fluid in the form of kinetic energy and pressure energy. This pump is not reversible by simple reversal of the direction of rotation. The direction of rotation is clockwise when the pump is viewed from the rear side of the motor.

**I Design and features**

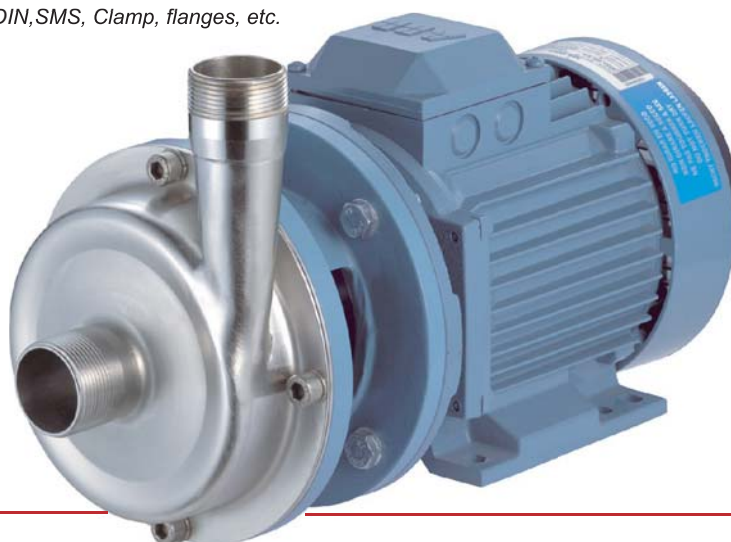
Casing manufactured with cold-formed plate.  
 BSP/GAS connections (standard).  
 Open impeller manufactured with stainless steel cold-formed plate or investment casting motor according to model.  
 Inside mechanical seal.  
 Simple parts and easy maintenance.  
 IEC B35 motors (B34 for EFH-200), IP55, F-class insulation.

**I Materials**

Parts in contact with pumped media:	AISI 316L
Lantern:	GG-15
Other parts:	AISI 304
Gaskets (standard):	VMQ (Silicone)
Mechanical seal (standard):	Cer/C/NBR
Surface finish:	Electropolished

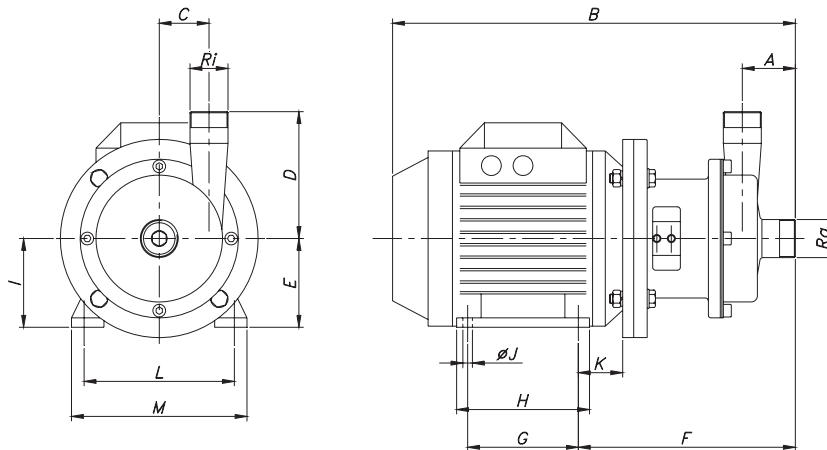
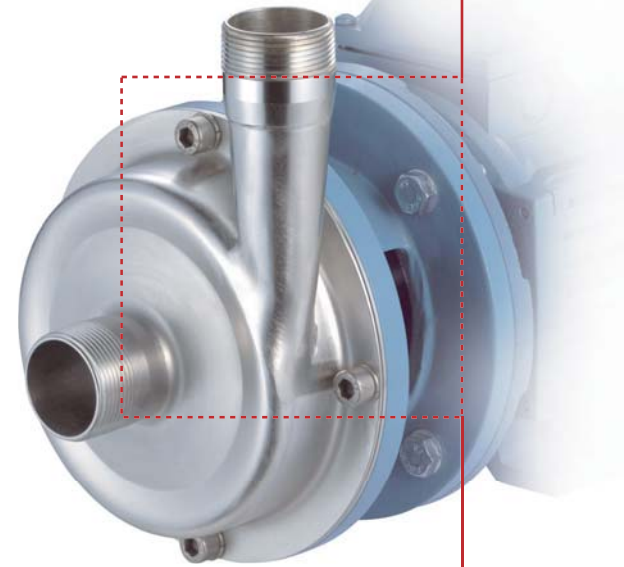
**I Options**

Mechanical seal in C/St.St or TgC/TgC  
 Gaskets in EPDM, FPM (Viton<sup>®</sup>) or PTFE.  
 Motors with additional protection.  
 Trolley with electric panel.  
 Connections: DIN, SMS, Clamp, flanges, etc.



## I Technical specifications

Max. flow	65 m <sup>3</sup> /h / 286GPM
Max. head	45 mcl / 148 ft
Max. suction pressure	2 bar / 29 PSI
Max. working temperature	90 °C / 194°F
Max. speed	3500 rpm



TYPE PUMP	Motor		GAS/BSP		A	B	C	D	E	F	G	H	I	ØJ	K	L	M
	Size	kW	Ra	Ri													
EFH-2003	71	0,37	1"	¾"	60	385	36	100	71	223	90	112	85	7	38	112	135
EFH-2107	80	0,75	1½"	1"	63	405	50	110	80	220	100	125	100	9	40	125	153
EFH-2222 EFH-2222A	90L	2,2	1½"	1½"	64	450	66	160	90	234	125	150	100	10	46	140	170
EFH-2340 EFH-2340B	112	4	2"	2"	70	510	92	192	112	276	140	168	125	12	57	190	222
EFH-2355 EFH-2355A	112	5,5				535											
EFH-2375 EFH-2375A	132	7,5	2"	2"	70	610	92	192	132	329	178	212	150	12	75	216	262



FTEFH.1.EN-0207